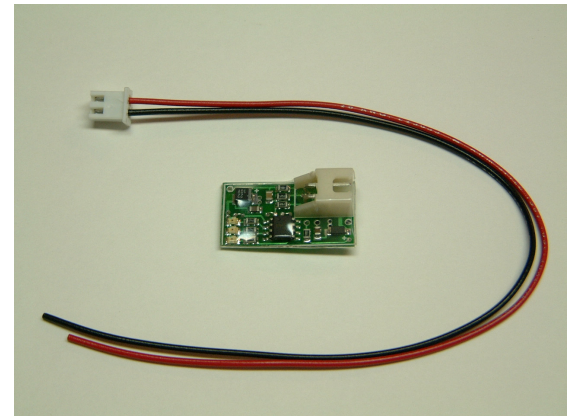




LGG-1 Li-Poly Battery Monitor

Thank you for purchasing our LGG-1 Lithium Polymer battery monitor.

The LGG-1 is a device that indicates the present charge level in a battery pack. It displays the battery pack's charge condition using 3 LEDs that flash four easy to see and understand messages: Good, Low, Caution, Damage. It does this by continuously sampling the battery voltage and averaging the data so that the true condition of the pack is displayed.

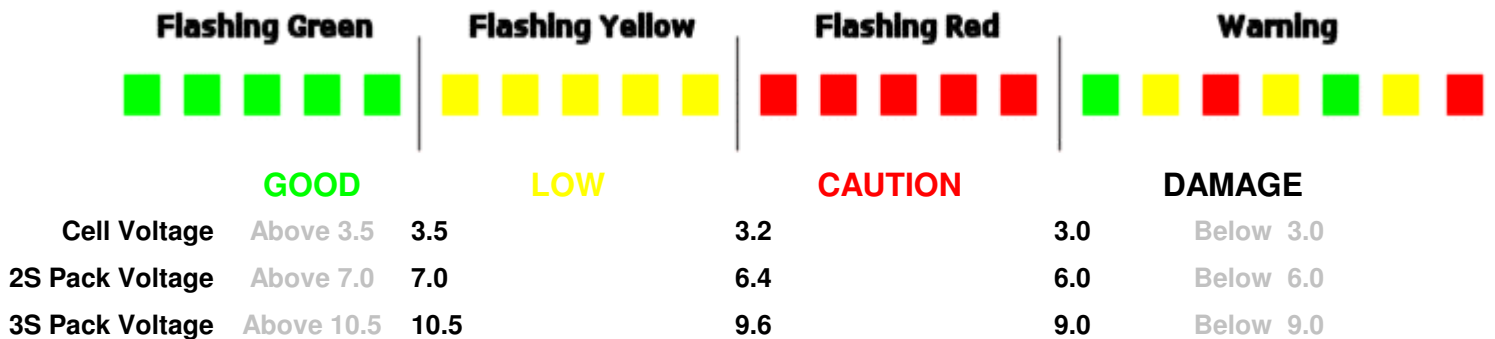


Features

- Works for both 2S and 3S Li-poly batteries
- Auto-detects pack type on power-up
- Highly visible with super bright LEDs
- Easy to use
- Weighs less than 3 grams
- Provides peace of mind and assurance
- Uses DSP technology

Great for both helicopters and airplanes !

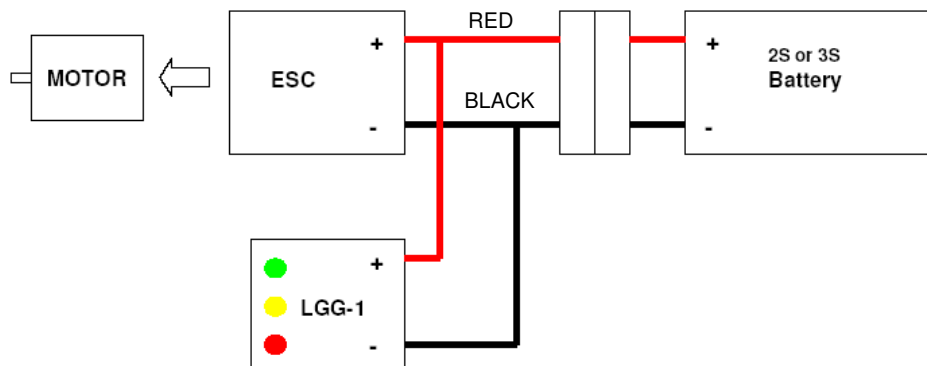
"Lipo Gas Gauge"



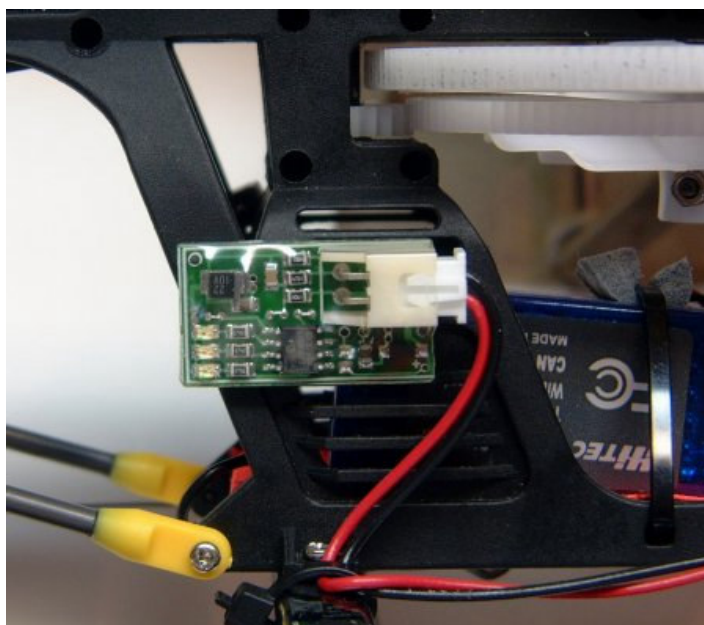
Installation

The LGG-1 is designed to operate with 2S and 3S Li-poly batteries only.

It connects to the flight battery on the ESC side of the connector. This is done by soldering the positive (red) and negative (black) wires to the same connector used by the ESC as shown.



The LGG-1 should be mounted on the side of the model with double sided tape or a tywrap where it can be easily seen when doing a flyby.



Power-up

During power up the LGG-1 determines the type of flight battery automatically. It reads the packs voltage and if it is above 8.8 volts it sets the packs type (voltage range) as a 3s pack and if below 8.8 volts, a 2S pack. The LGG-1 will indicate the choice it made by flashing all 3 LEDs for a 3S and just 2 LEDs for the 2S during power-up.

You should verify that the pack type is correct each and every time for safety. A defective or discharged 3S battery can be detected as a 2S inadvertently.

Using the LGG-1

The LGG-1 requires that you see the LED's for it to be of any value. This is best done by doing a flyby every so often to check the battery status. After some time you will develop a "feel" for the condition of your batteries based on the flight time. The feedback given by the LGG-1 will confirm your intuition and provide assurance.

Specifications

Input Voltage Range	5.5 to 13.25 Volts; Lithium Polymer 2 & 3 Cell Only
Supply current	Less than 15 milliamps
Temp Range	-20°C to +60°C
Accuracy	±0.05V
Weight	Less than 3 grams with power cable
Size	26x15mm

Visit our support page at www.techmodelproducts.com/trex_support.htm for more info.